

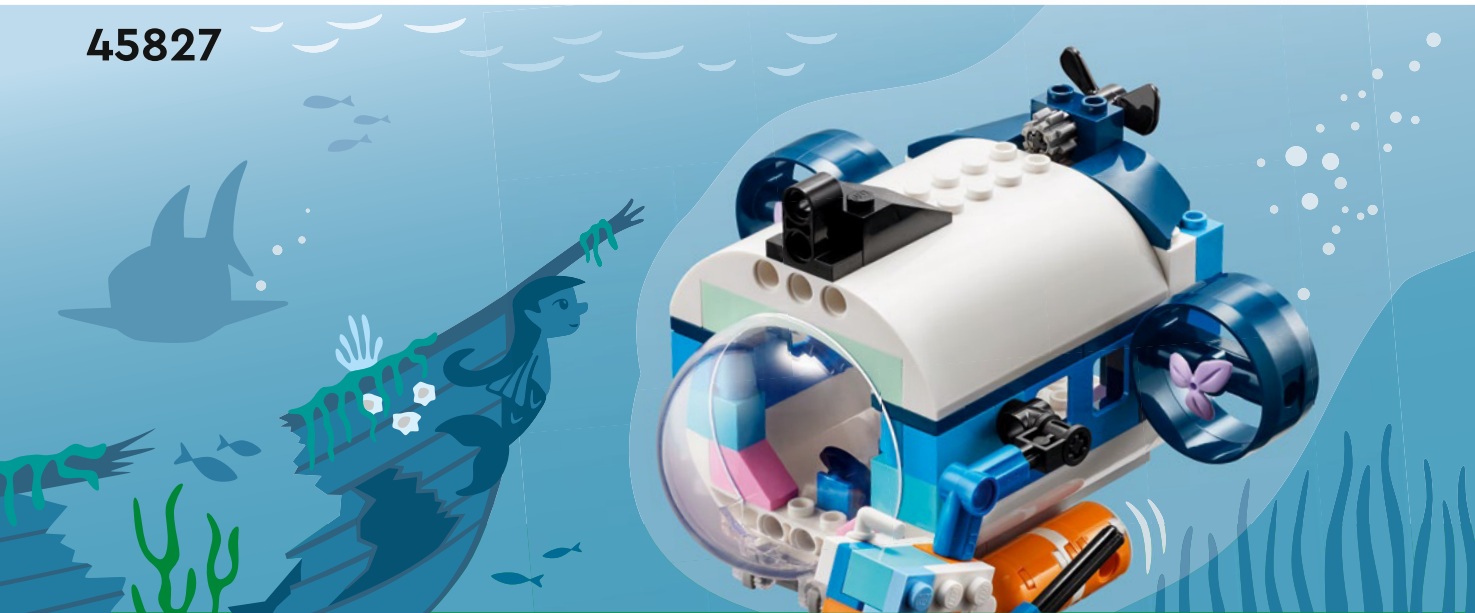


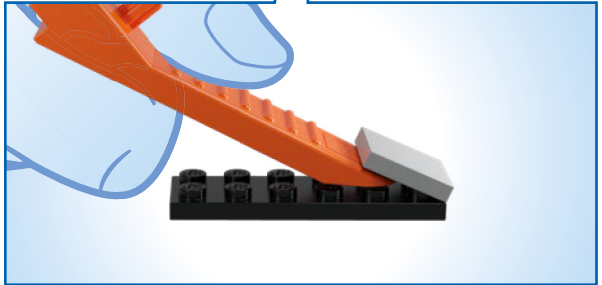
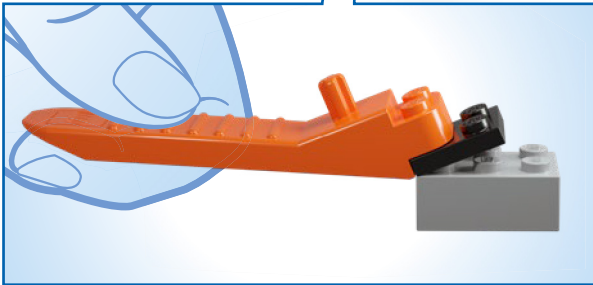
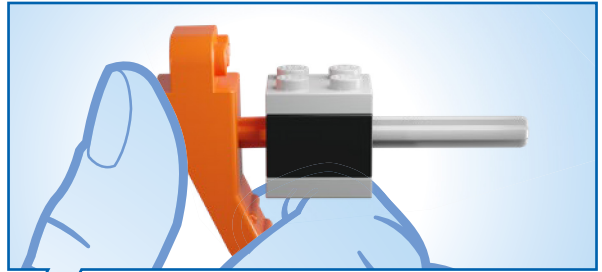
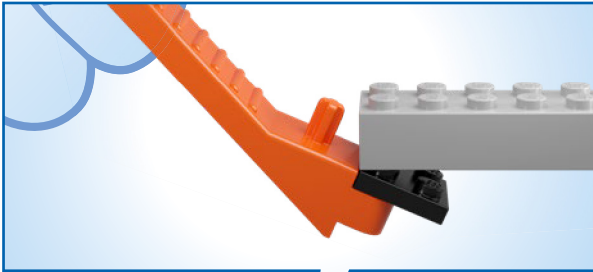
education™

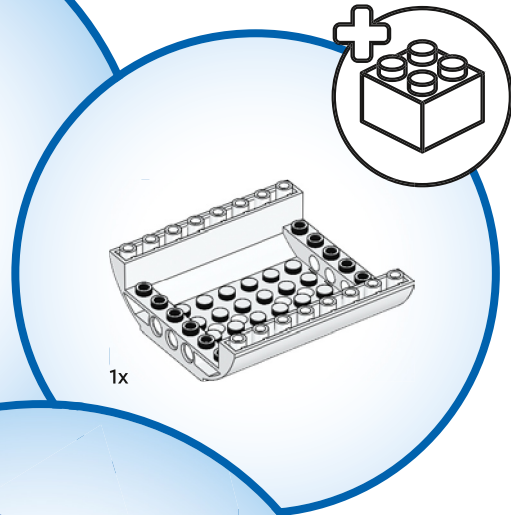
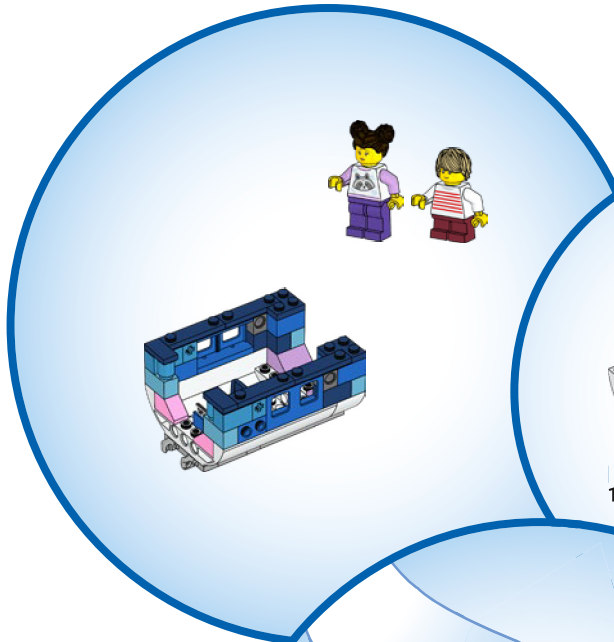


EXPLORE

45827

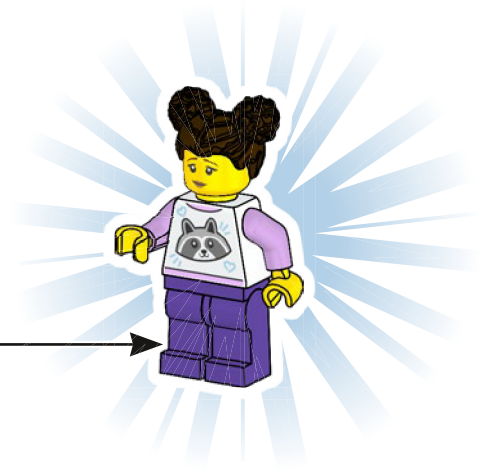
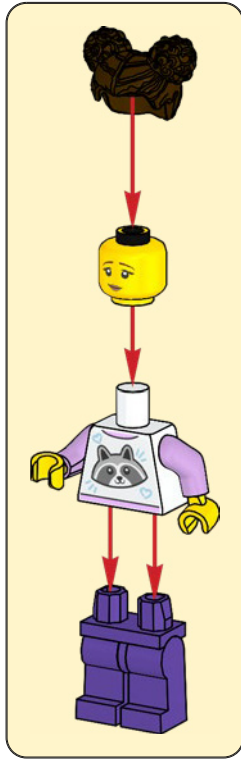


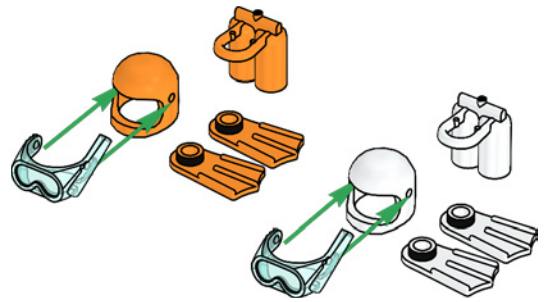
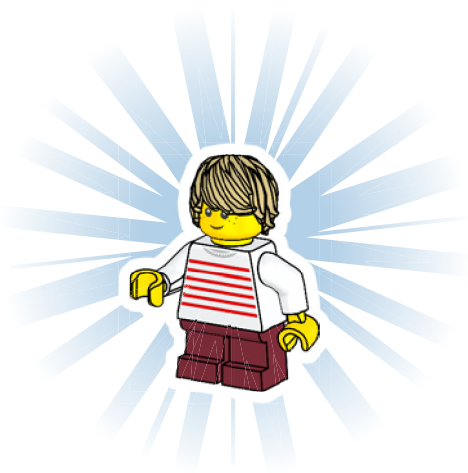


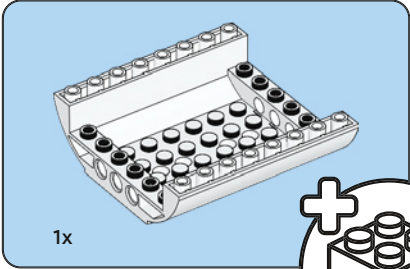
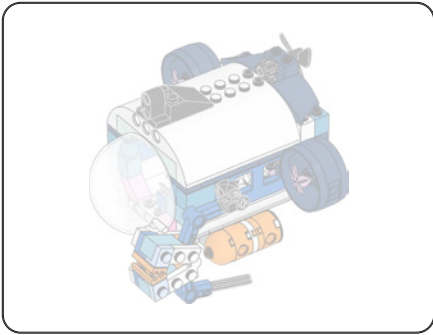


1x

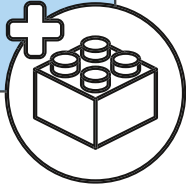




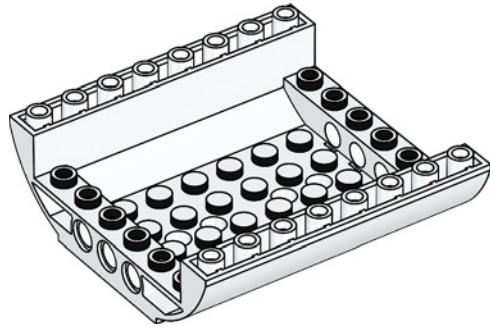


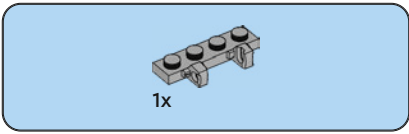


1x

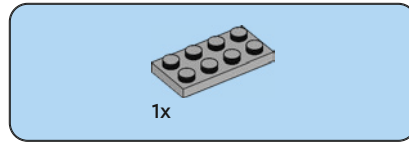
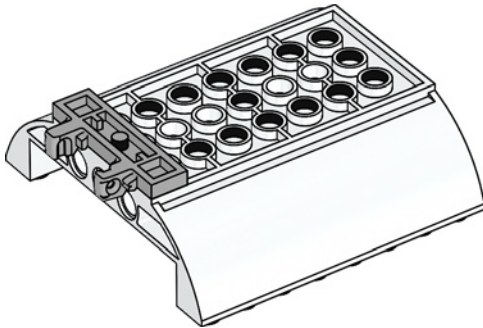


1

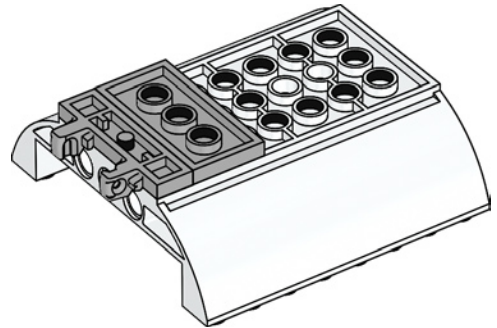


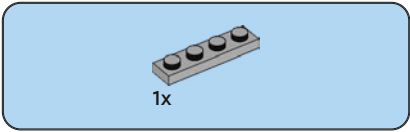


2

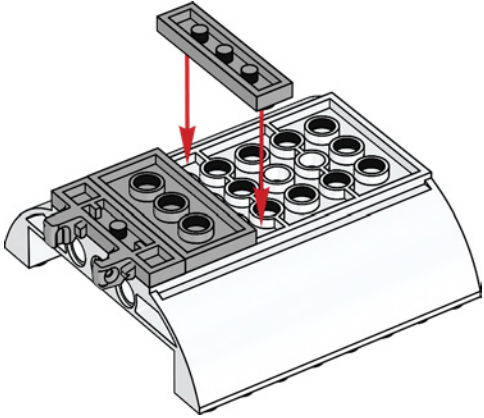


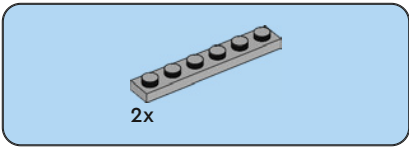
3



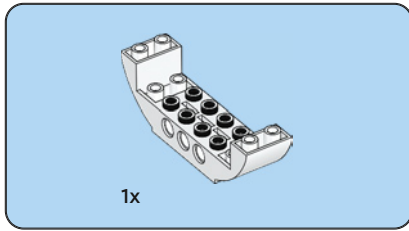
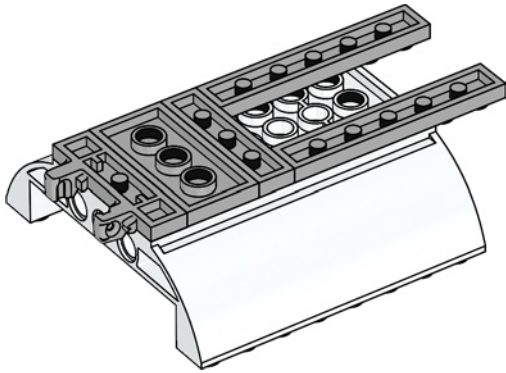


4

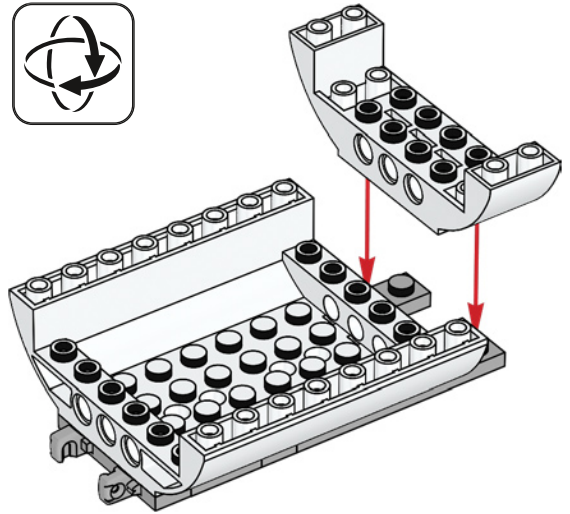




5



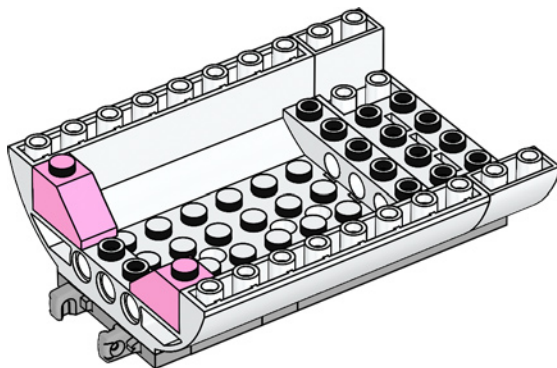
6

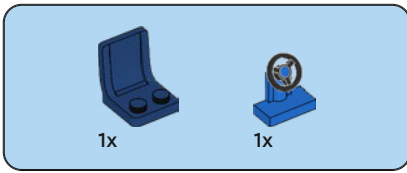




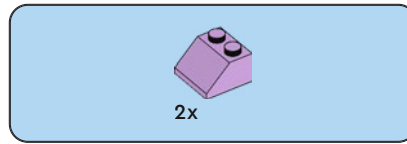
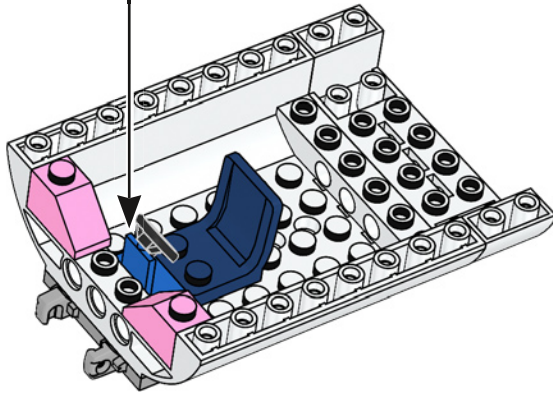
2x

7

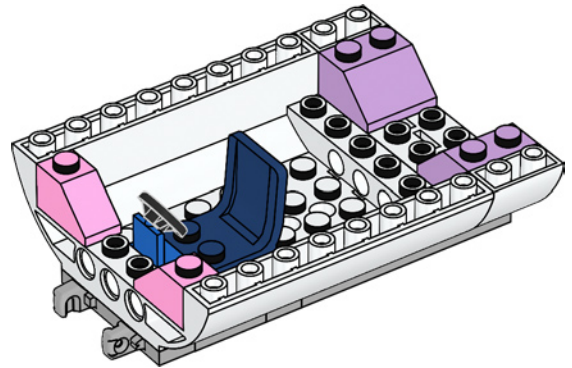


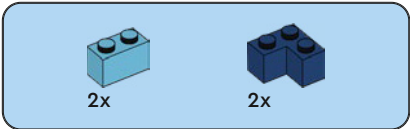


8

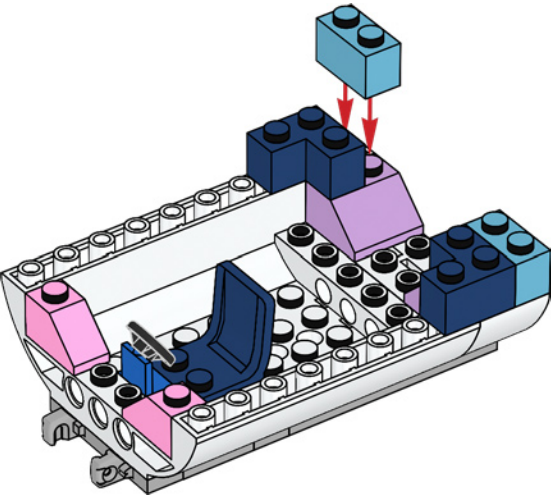


9





10



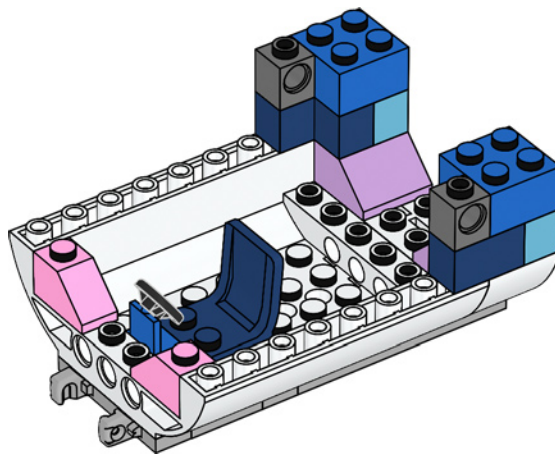


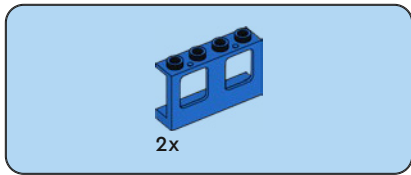
2x



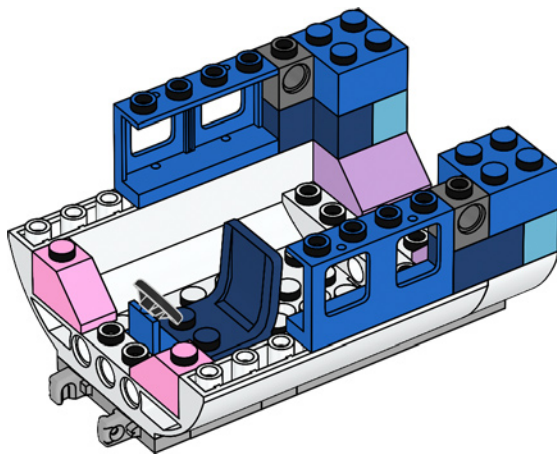
2x

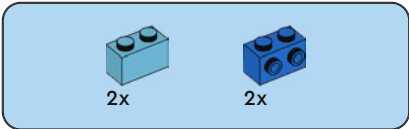
11



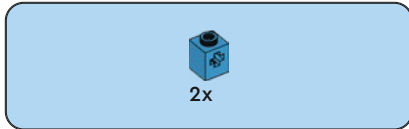
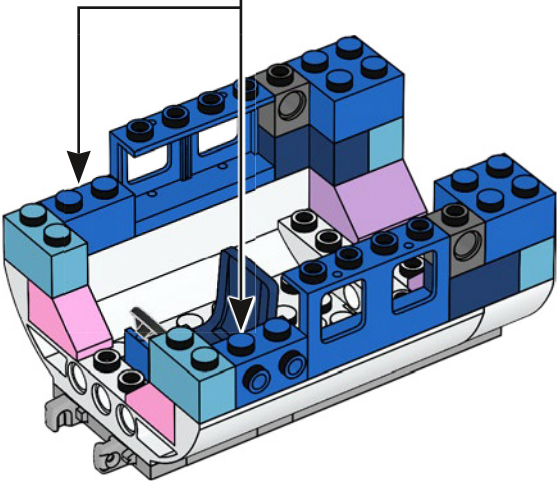
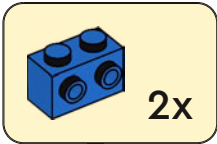


12

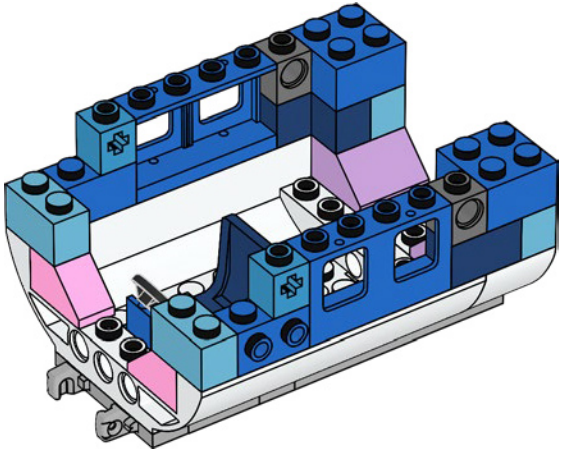




13



14



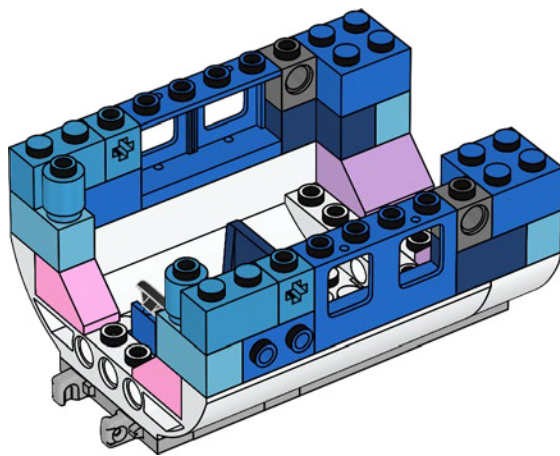


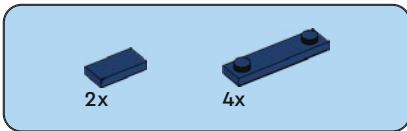
2x



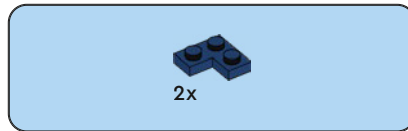
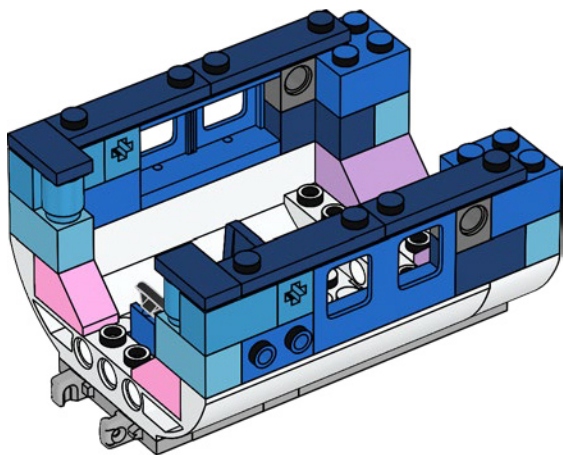
2x

15

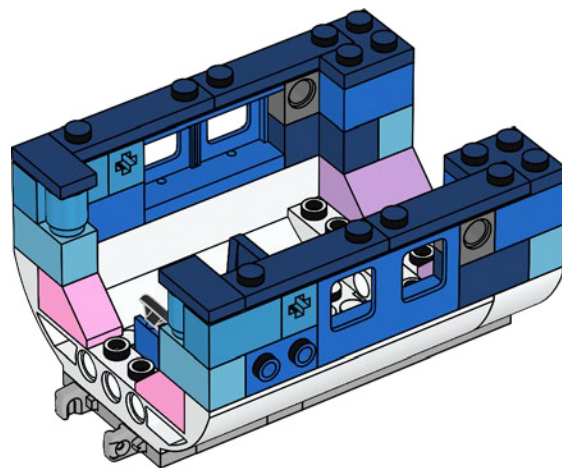


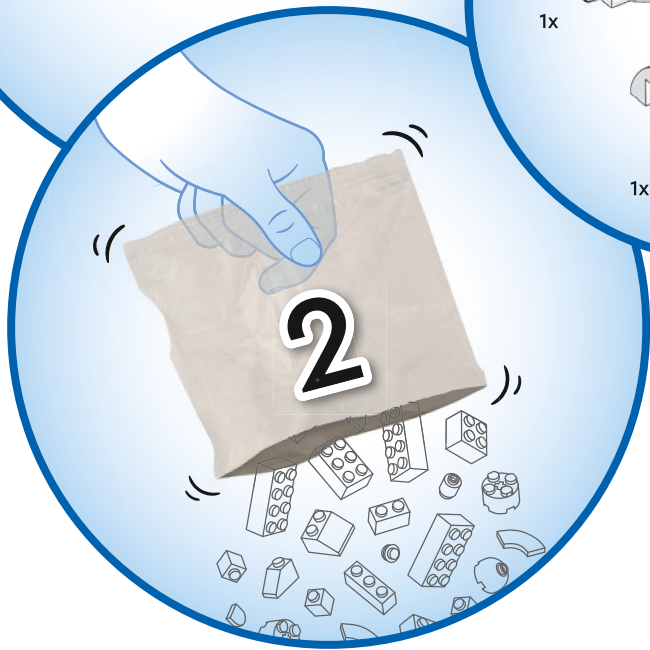
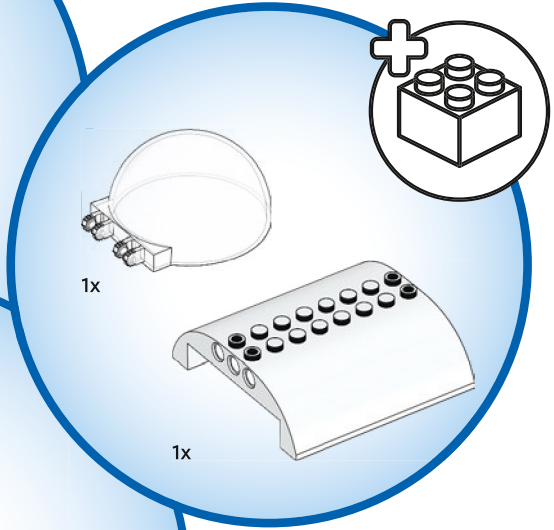


16



17

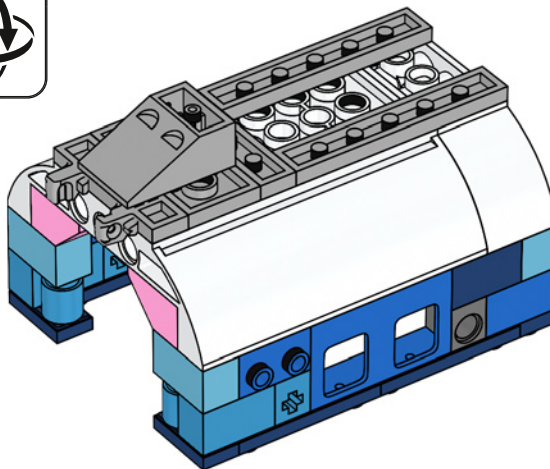


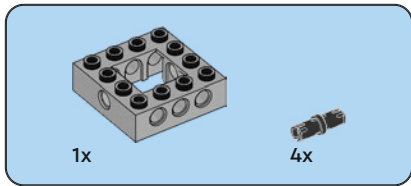




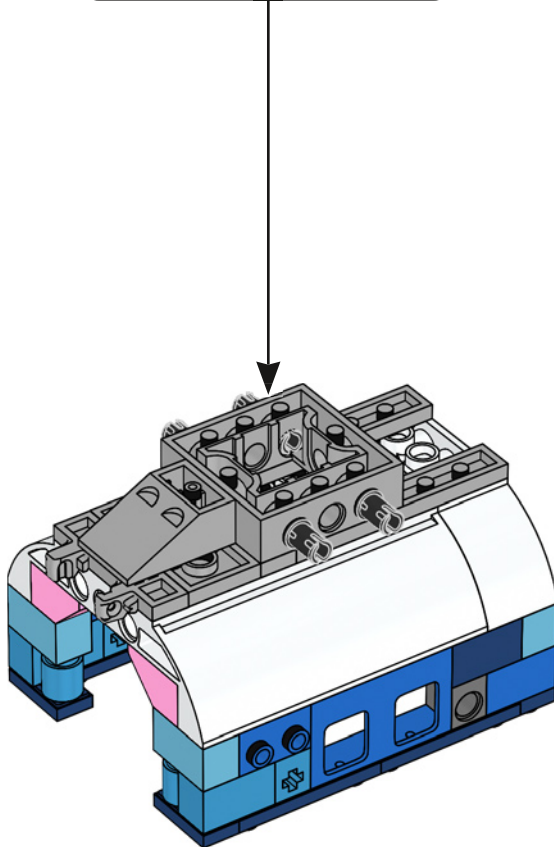
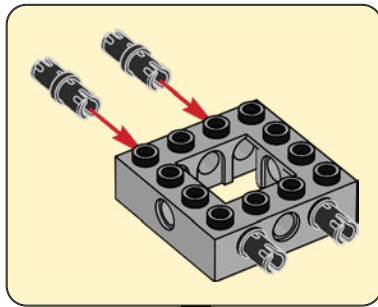
1x

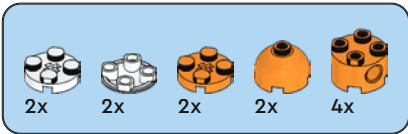
18



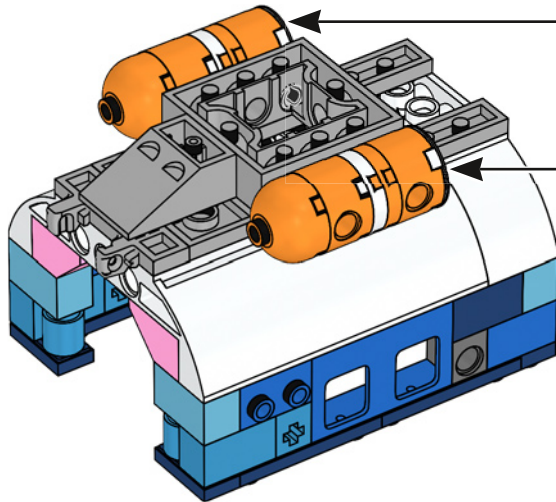
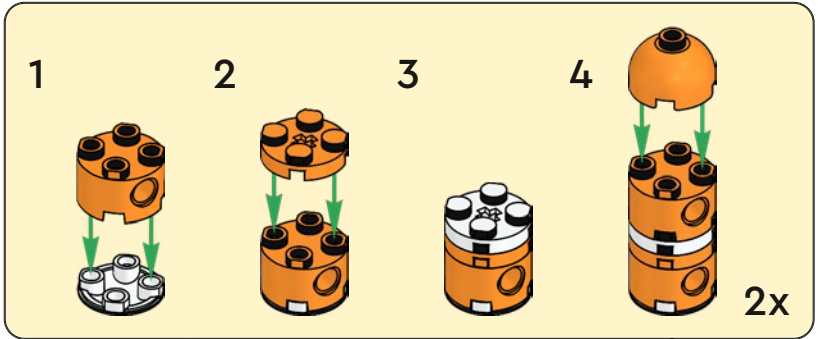


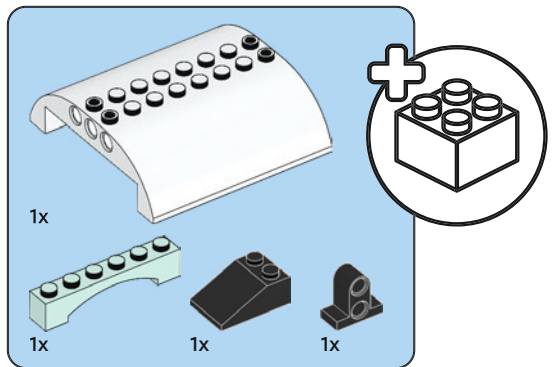
19



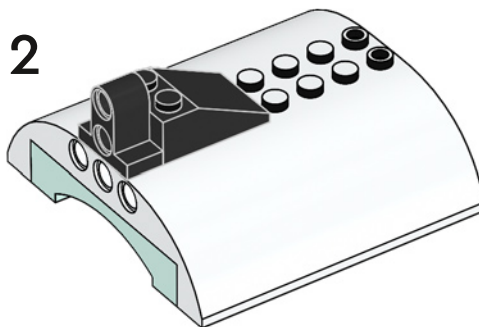
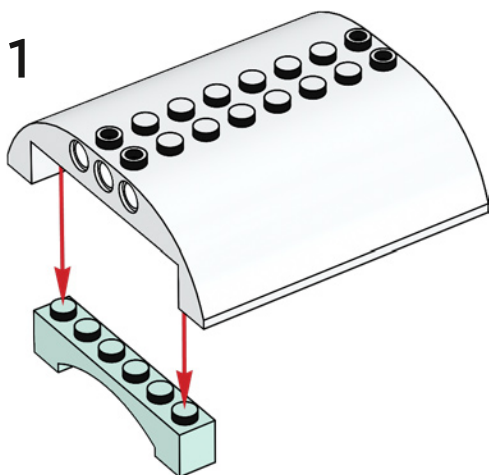


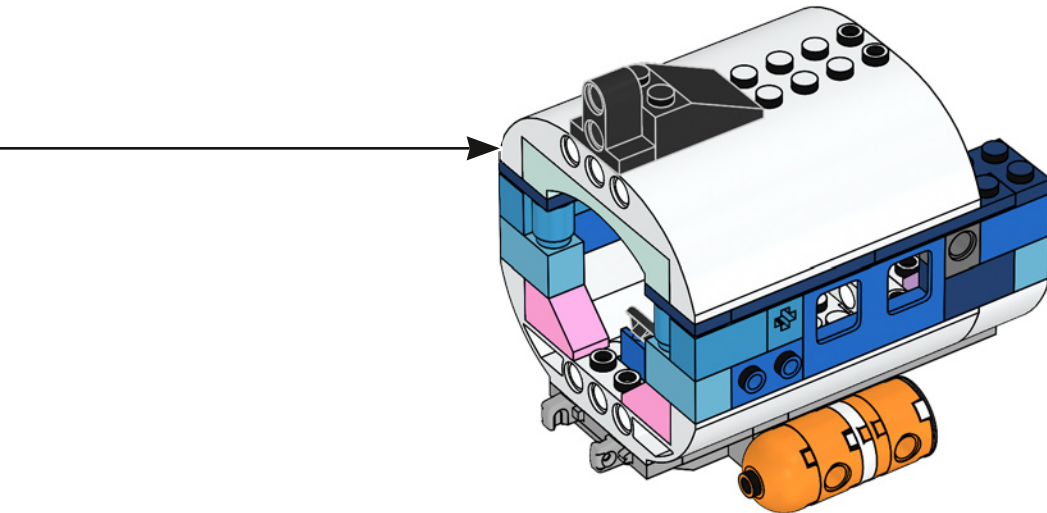
20

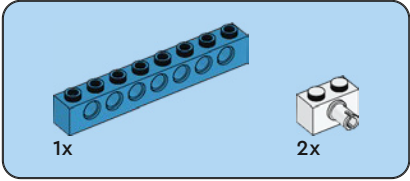
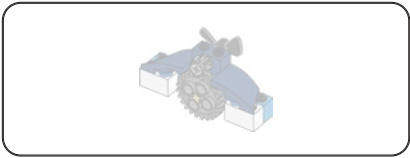




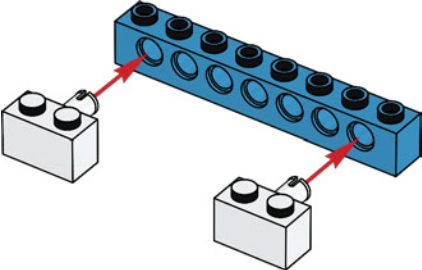
21



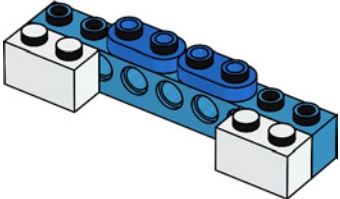


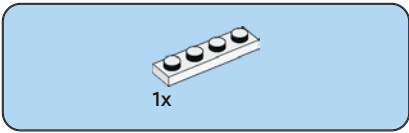


22

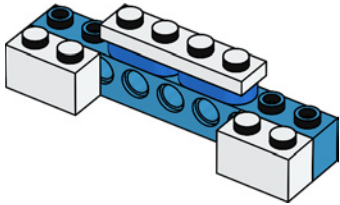


23

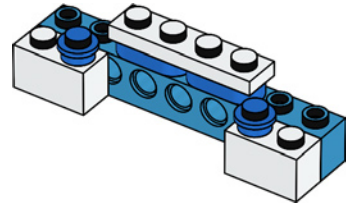


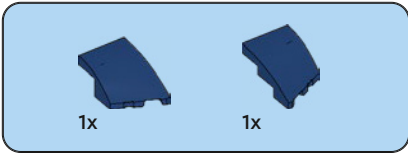


24

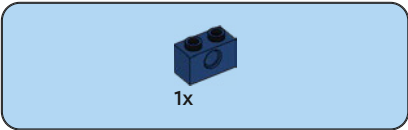
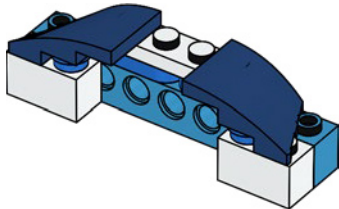


25

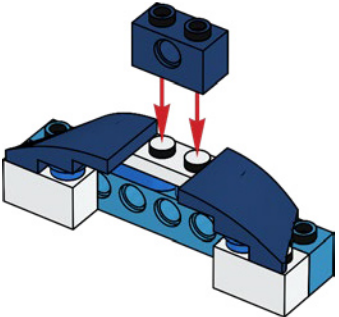


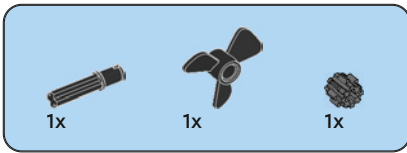


26

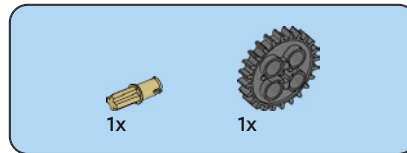
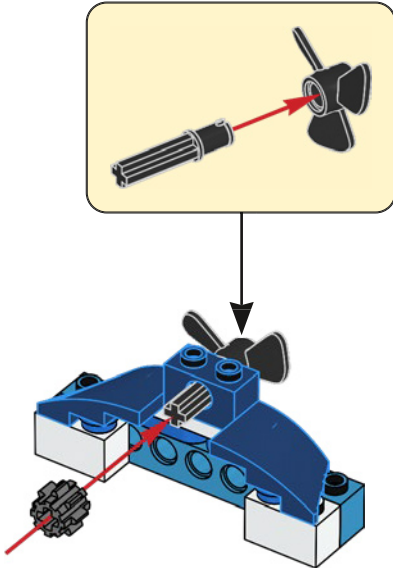


27

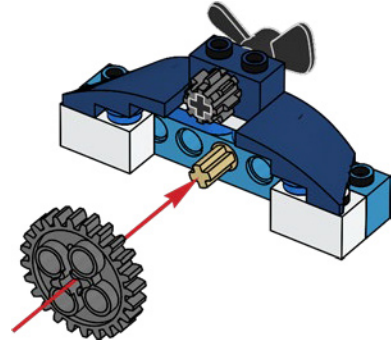




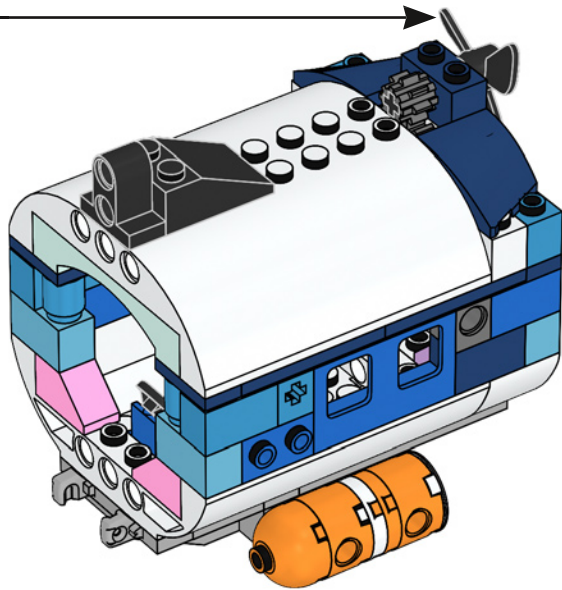
28

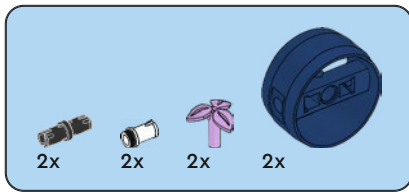


29

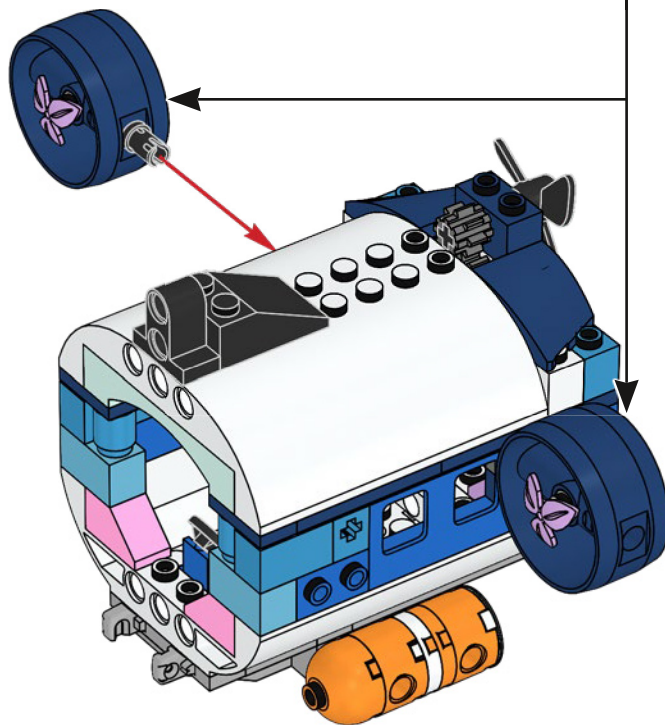
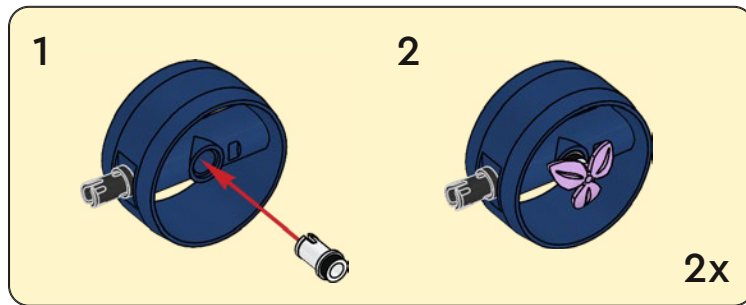


30





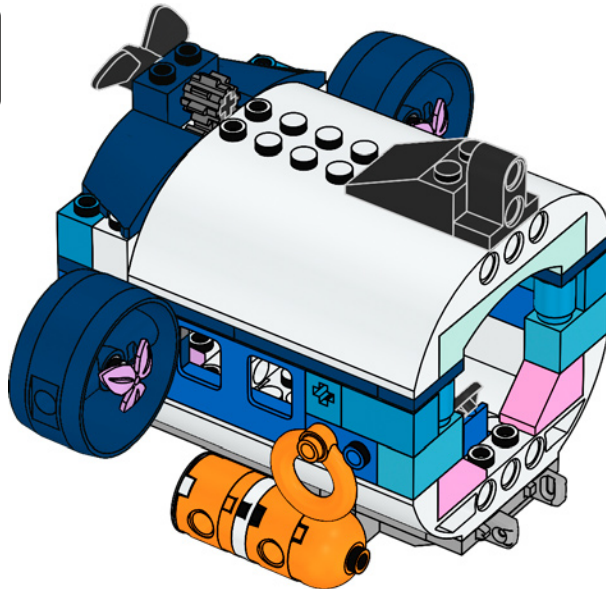
31

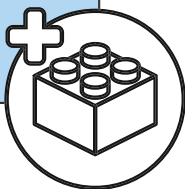
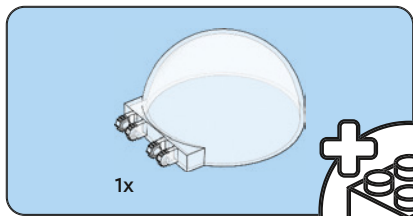




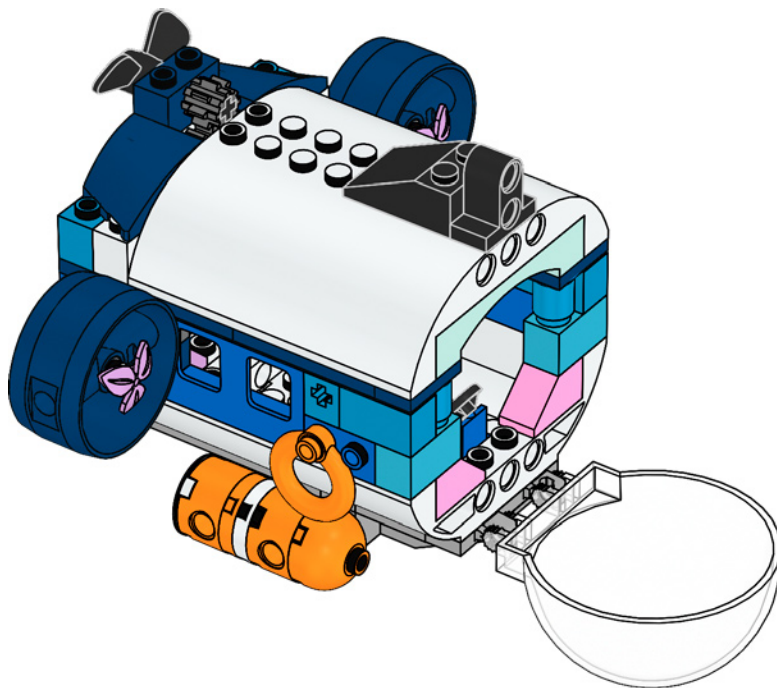
1x

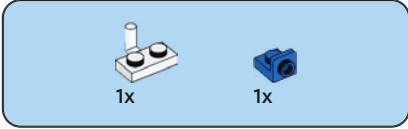
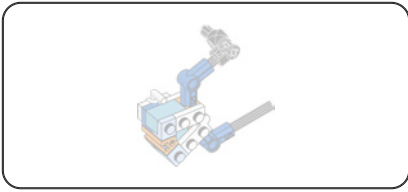
32



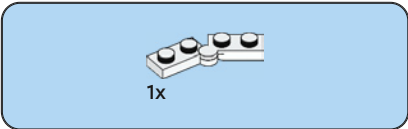
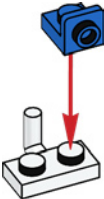


33

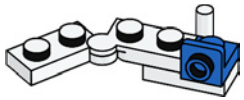




34



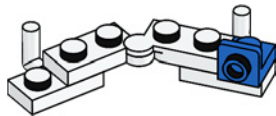
35





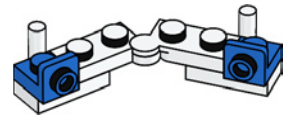
1x

36



1x

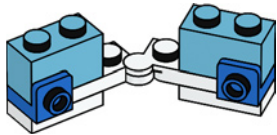
37





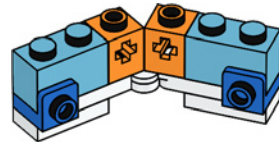
2x

38



2x

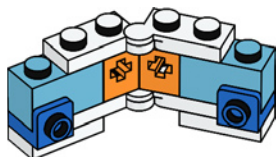
39





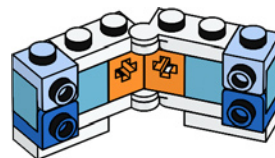
1x

40



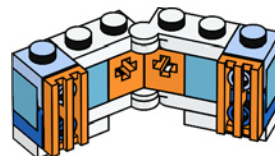
2x

41

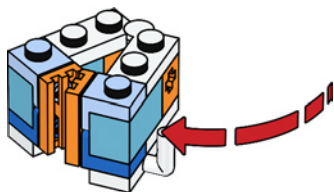


2x

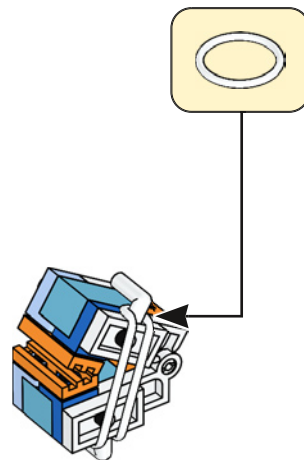
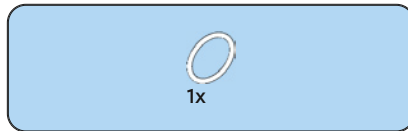
42



43

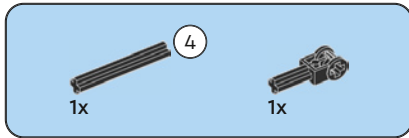
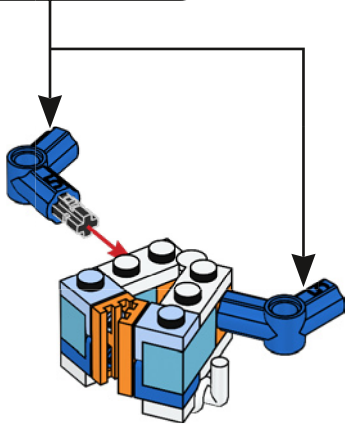
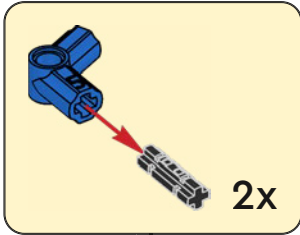


44

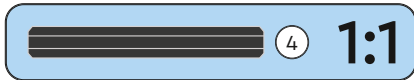
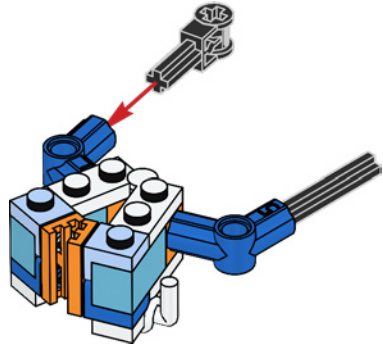




45

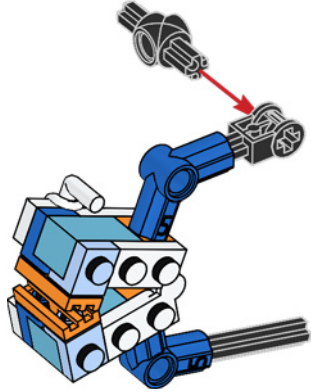


46

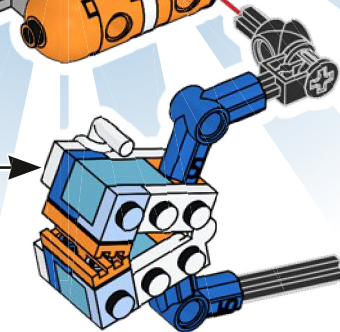
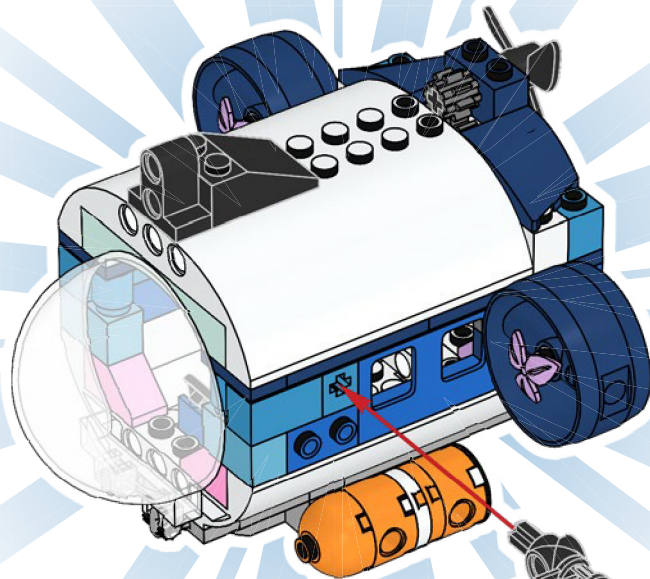




47



48



LEGO and the LEGO logo are trademarks of the LEGO Group. ©2024 The LEGO Group. 6527383

FIRST[®] is a trademark of For Inspiration and Recognition of Science and Technology (*FIRST*). LEGO[®] is a trademark of the LEGO Group. *FIRST*[®] LEGO[®] League and SUBMERGEDSM are jointly held trademarks of *FIRST* and the LEGO Group.

©2024 *FIRST* and the LEGO Group. All rights reserved.